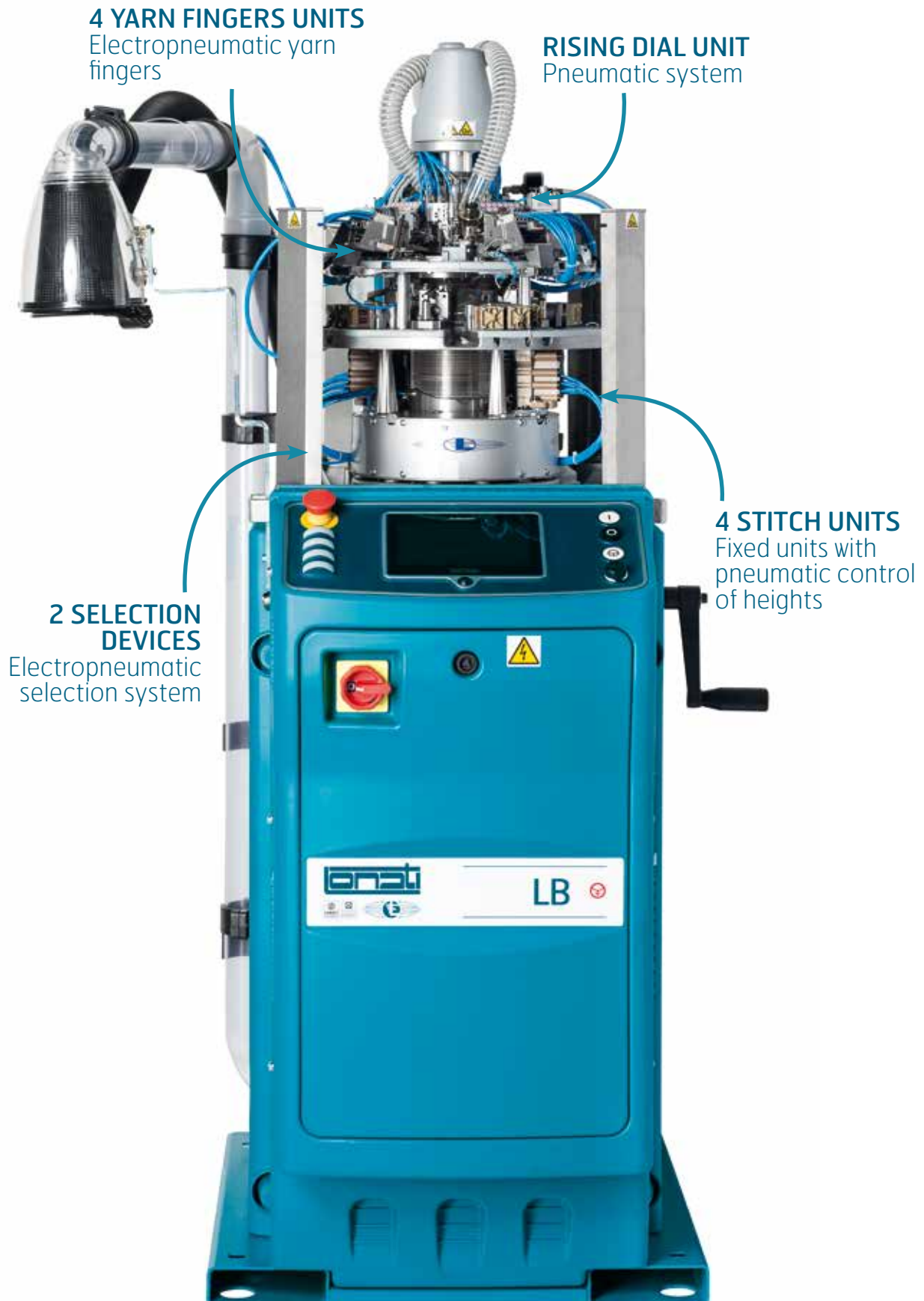


WOMEN'S WOMEN'S SINGLE CYLINDER LB10P6



WOMEN'S SINGLE CYLINDER

LB10P6





All images in this brochure are indicative and not binding.

WOMEN'S SINGLE CYLINDER LB10P6

Electropneumatic single cylinder, 4 feeds machine for stockings and pantyhose in plain knit, 1x1 and 3x1 fixed mesh on 2 feeds and T-Band, covered lycra plating, 4 feeds plating, size marks and pneumatic selection on feed 1 and 3. Single or double dial jacks. Electronic device to maintain size at any temperature on the machine.

- 4 feeds single cylinder machine
- 6 tweezers suction unit
- 19 to 24 yarn fingers
- Motorized sinkers cap, 1 motor
- 4 pneumatic stitch cams
- 2 pneumatic selection units on feeds 1 and 3 for mesh

MACHINE DIMENSIONS



Length 60 cm + yarn creel cm 130
Depth 60 cm + yarn creel cm 130
Height 136 cm + yarn creel 250 cm

MACHINE WEIGHT



Machine 225 kg
Yarn creel 28 kg

CERTIFICATION



Green
Label

WOMEN'S SINGLE CYLINDER

LB10P6

TECHNICAL DATA

MODEL	CYLINDER DIAMETER	GAUGE	NEEDLE THICKNESS
LB10P6 (Needle latch 6 mm)	4"	32	0.34 mm

Above data are indicative and not binding.

STANDARD DEVICES

- 26 or 40 reels yarn creel
- Sock ejection hood
- Yarn waste filter
- Stepper motor controlled suction valve
- Rotary or fixed antitwist device
- 2 yarn sliding sensors

OPTIONAL DEVICES

- DREAM or DREAM ONE device for stretching socks in ejection
- 1,1 Kw suction fan
- Ethernet board for connection to Dinema Nautilus data collector system
- Dinema YoYo yarn feeder, 12 max
- Dinema Plus medical or bare elastomer yarn feeders, 4 max
- Yarn sensors, 24 max
- Motorized sinkers cap, 2 motors
- 4 motorized stitch cams

SUITABLE YARNS

The machine is designed to be used with the following yarns:

- Nylon
- Elastomers (bare, single or double cover)
- Filanca
- Stretch, for transparent items

POSSIBLE KNITTINGS

The standard machine can perform the following knittings

- Plain knit
- 1:1, 3:1, 5:1, 7:1, 1:3 fixed mesh
- 1:1 on reinforced bands
- Reinforced band
- Supp-hose on 2 or 4 feeds
- Plain knit plating on 2 or 4 feeds

WOMEN'S SINGLE CYLINDER

LB10P6

PERFORMANCES

	4" CYLINDER DIAMETER
GAUGE	32
KNITTING FEATURES	900 rpm with running selectors and 38/40° stitch cams
	1200 rpm in plain knit, with no selectors running and 38° stitch cams
	1200 rpm in plain knit, with no selectors running and 38° stitch cams
MAXIMUM SPEED	1200 RPM

Above data are indicative and not binding.

DISCLAIMER:

speed may need to be adjusted according to the inclination of the stitch cams, to the mechanical parts in use and to the yarn.
N.B. All data in the brochure are for information only and subject to change without any prior notice from Lonati SpA.

ALLOWED PERFORMANCES

CHART OF MAXIMUM ALLOWED SPEED IN PLAIN KNIT IN RELATION TO THE INCLINATION TO THE STITCH CAMS	
Stitch cam inclination	Maximum allowed speed in plain knit
38°	1200
40°	1000

AVAILABLE CYLINDERS	
GG75-0,34	320 - 336 - 340 - 342 - 352 - 360 - 368 - 380 - 382 - 384 - 400 - 402 - 432 - 434

Above data are indicative and not binding.

DISCLAIMER:

All data related to maximum allowed mechanical speed may require to be reduced (to be adjusted according to functional tests on the machine) when using specific particular yarns and/or knitting features.

WOMEN'S SINGLE CYLINDER LB10P6

ELECTRIC POWER CONSUMPTION

Machine maximum speed 800 r/m, "Average" standard pantyhose program for 1 hour.

MACHINE MODEL	CONSUMPTION kWh
LB10P6	0.70-0.83

COMPRESSED AIR CONSUMPTION

Gauge pressure 6 bar, humidity 0% dryer outlet temperature 18° C – 21° C. With pantyhose ejection blow and suction mouth cleaning.

MACHINE MODEL	CYCLE TIME	CONSUMPTION PER PANTYHOSE	CONSUMPTION PER MINUTE
LB10P6	90"	NI 31	NI 21

SUCTION CONSUMPTION

Cylinder = 650/700 mm/H2O - Suction mouth = 650/700 mm/H2O - Average consumption for all models = 3 m³/min.

NOISE LEVEL

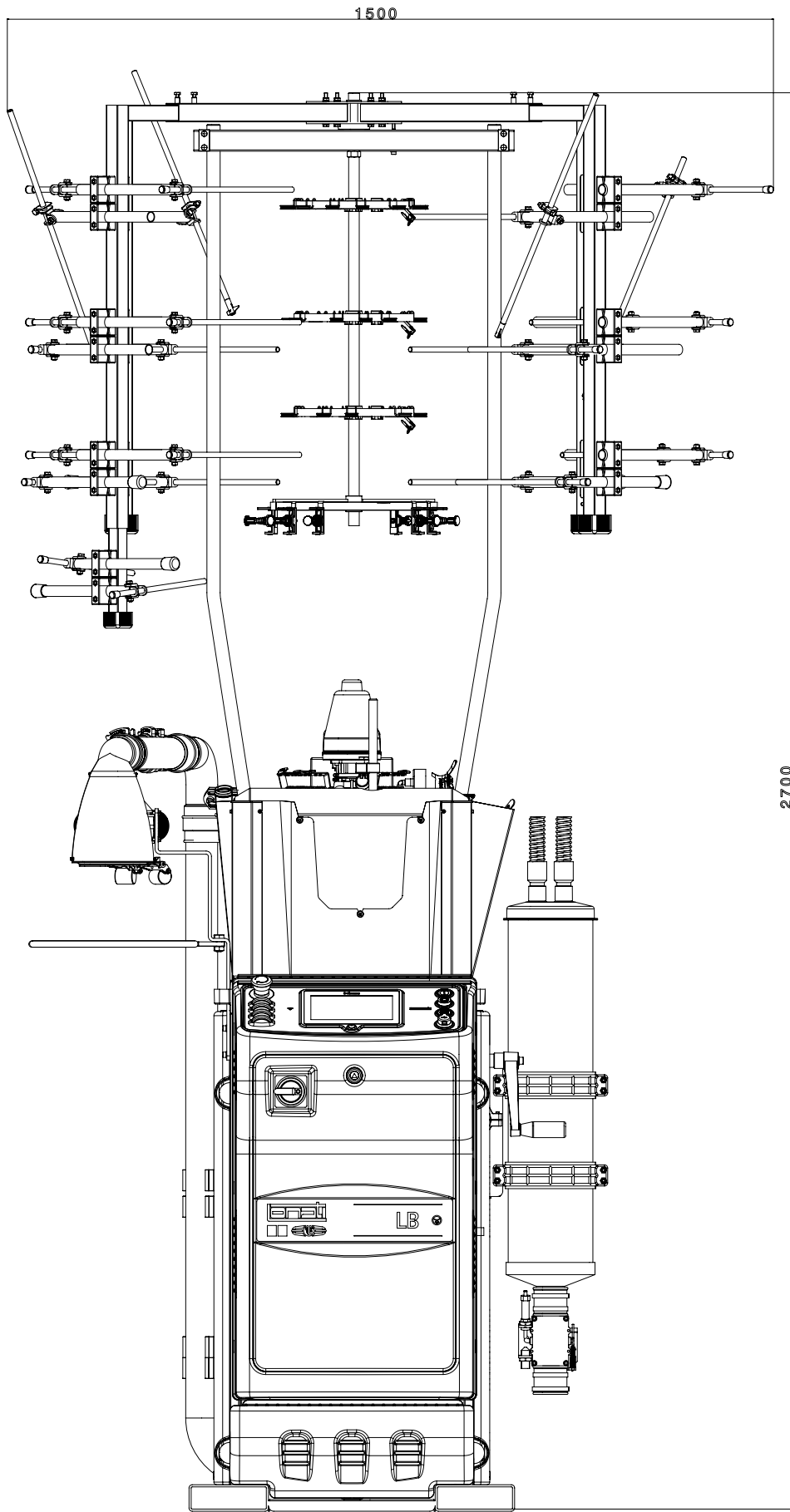
Machine average noise level, suction included LeqA = 74dBA

LUBRICANTS

Average consumption for 500/600 dozens: 1000 gr. - Lonati recommends: Fuchs Trax 14C - Kluber Tex Sintheso M32 – Esso Eil 0287

GREASE

For seals, bearings etc. Lonati recommends: Damping grease Nyogel 774F

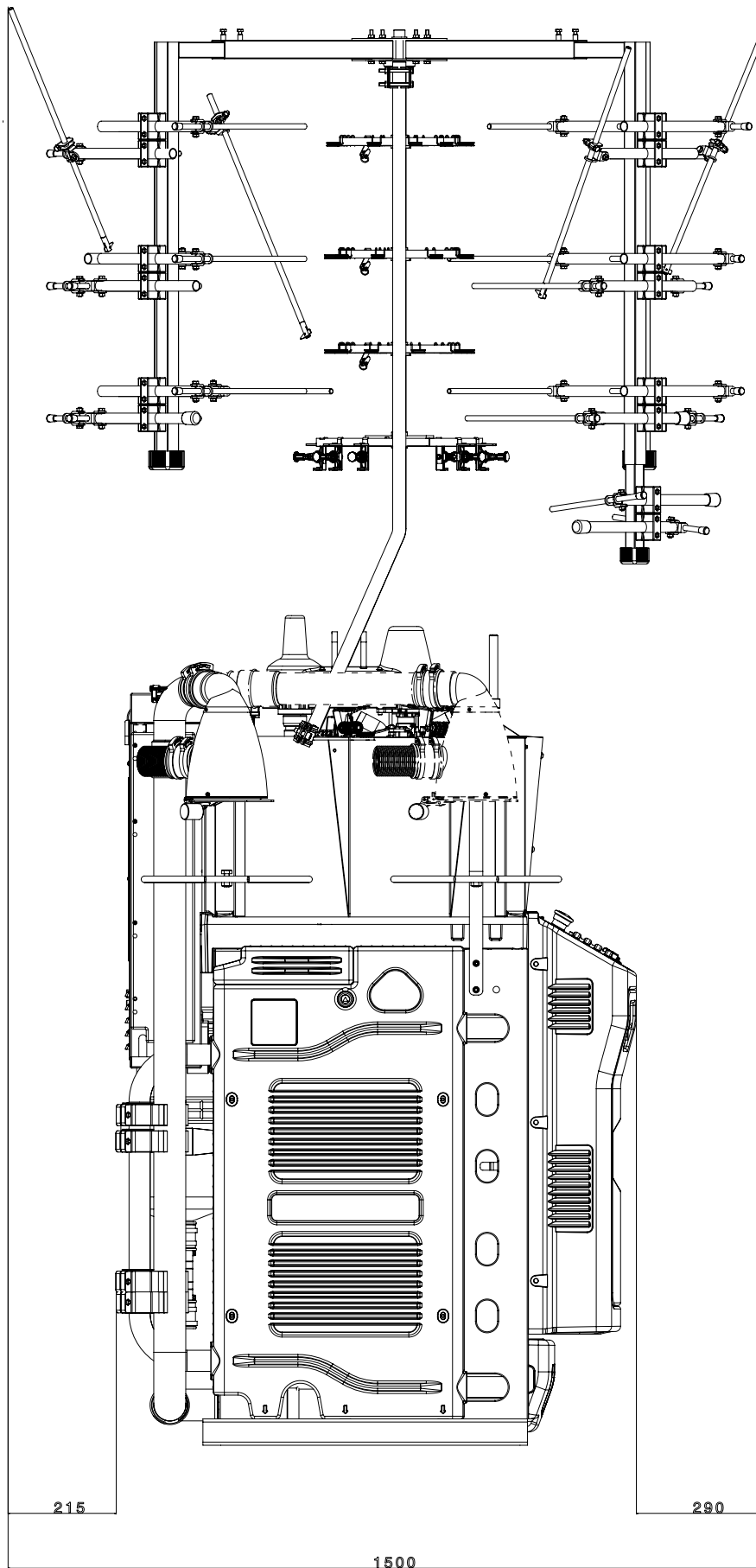


FRONT VIEW

Machine dimensions with 26 reels yarn creel

NOTE:

The picture may show fittings and equipment that are supplied on demand and not.

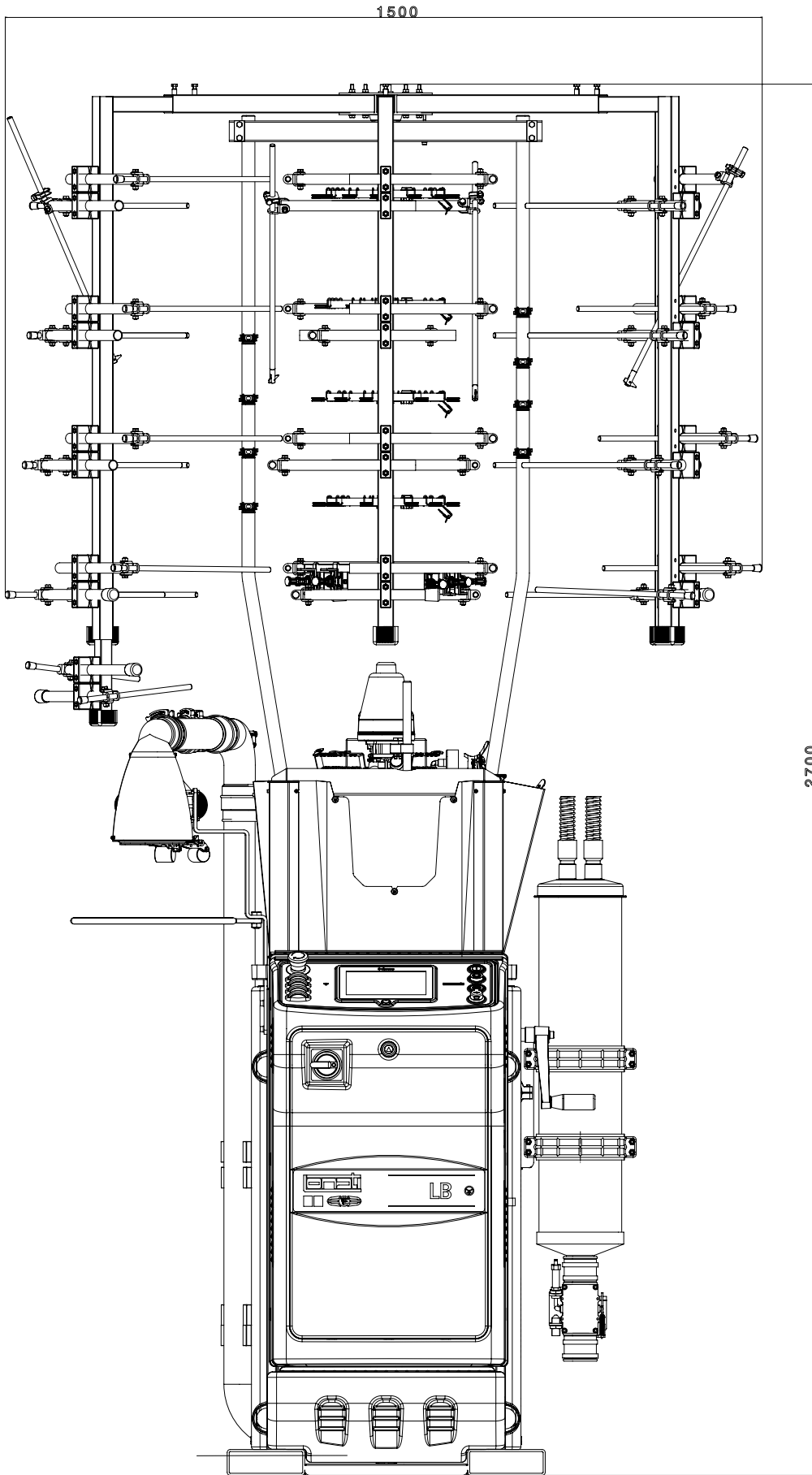


SIDE VIEW

Machine dimensions with 26 reels yarn creel

NOTE:

The picture may show fittings and equipment that are supplied on demand and not.

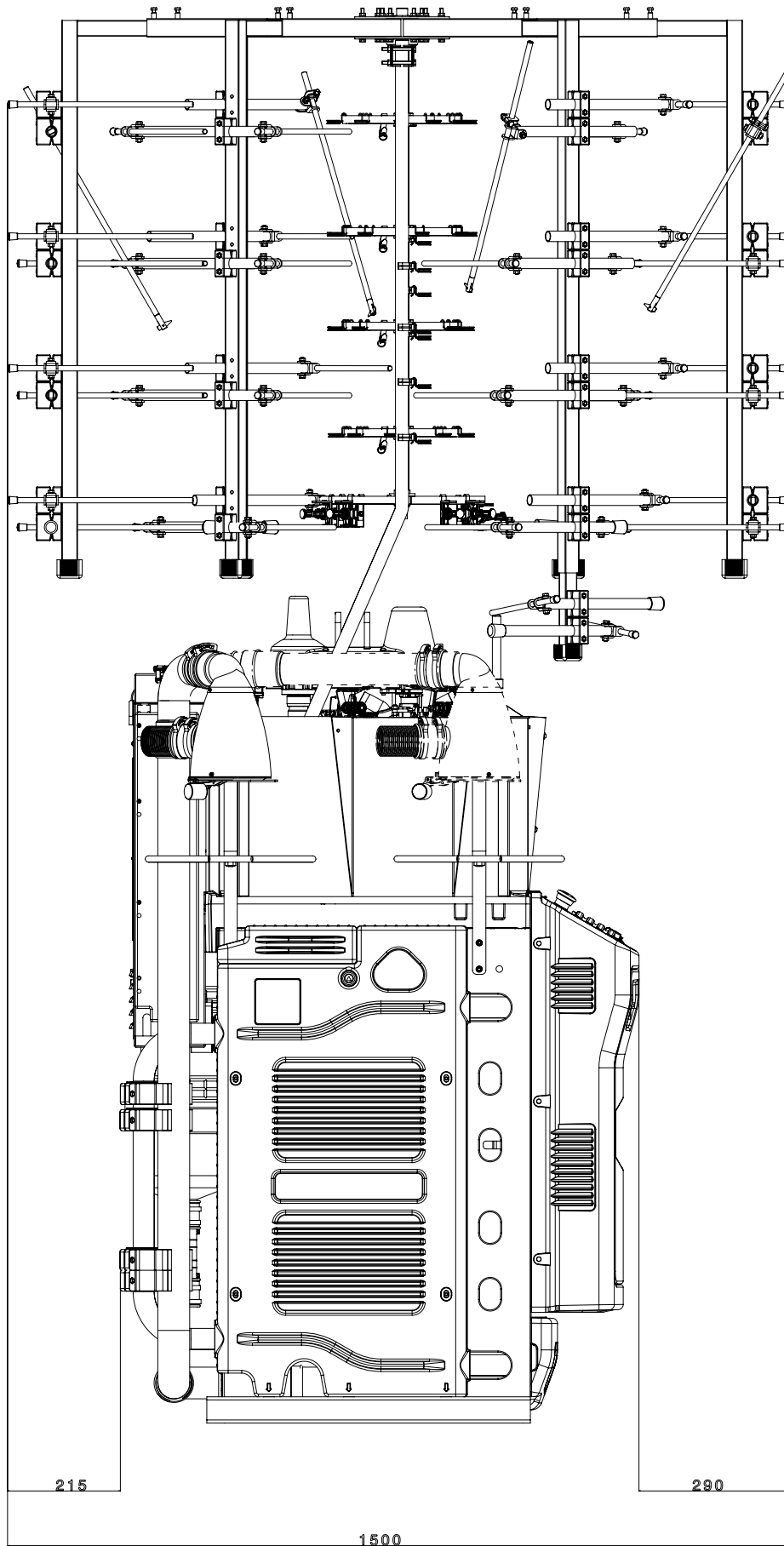


FRONT VIEW

Machine dimensions with 40 reels yarn creel

NOTE:

The picture may show fittings and equipment that are supplied on demand and not.



SIDE VIEW

Machine dimensions with 40 reels yarn creel

NOTE:

The picture may show fittings and equipment that are supplied on demand and not.





LONATI SPA

Via Francesco Lonati, 3 | 25124 Brescia (Italy)
Tel. +39 030 23901 | Fax +39 030 2310024
C.F.: 01469680175 | P.iva: 02096730961
info@lonati.com - www.lonati.com